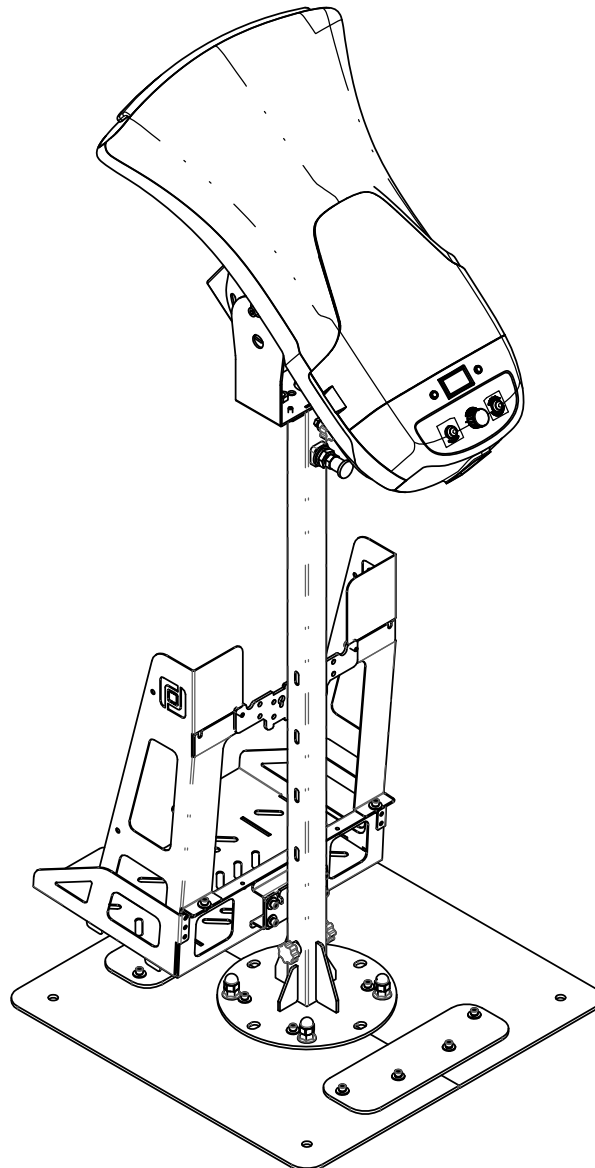


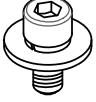
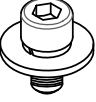


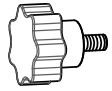
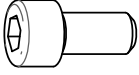
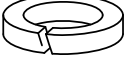
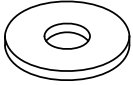


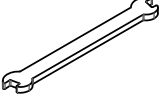
1



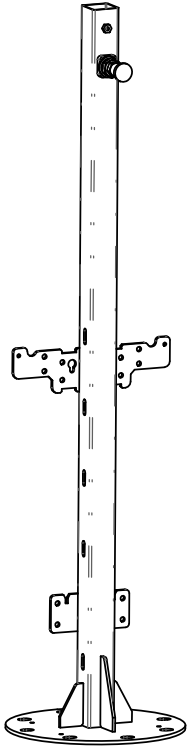
Standalone Bracket Installation Instructions



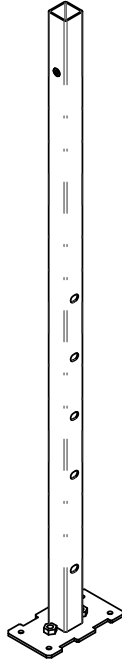
2

①	 M6x14	x16
②	 M6x12	x8
③	 M12	x4
④	 M12	x4
⑤	 M6	x3
⑥	 M10x20	x2
⑦	 M10	x2
⑧	 M10	x2
⑨	 5mm	x1
⑩	 8mm	x1
⑪	 19mm	x1

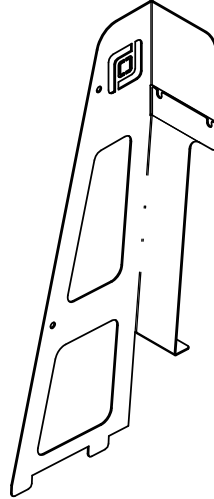
3



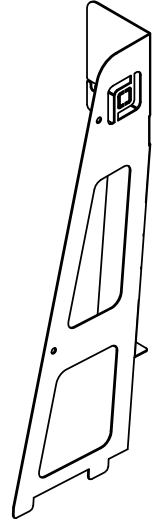
A 1x



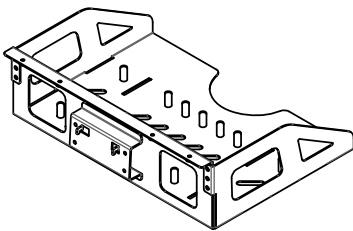
B 1x



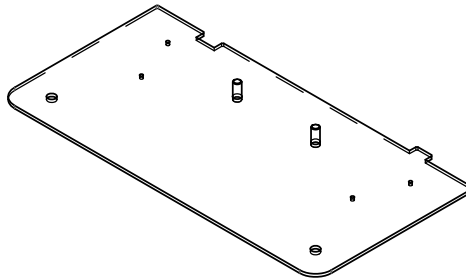
C 1x



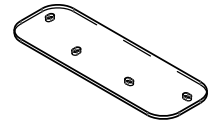
D 1x



E 1x

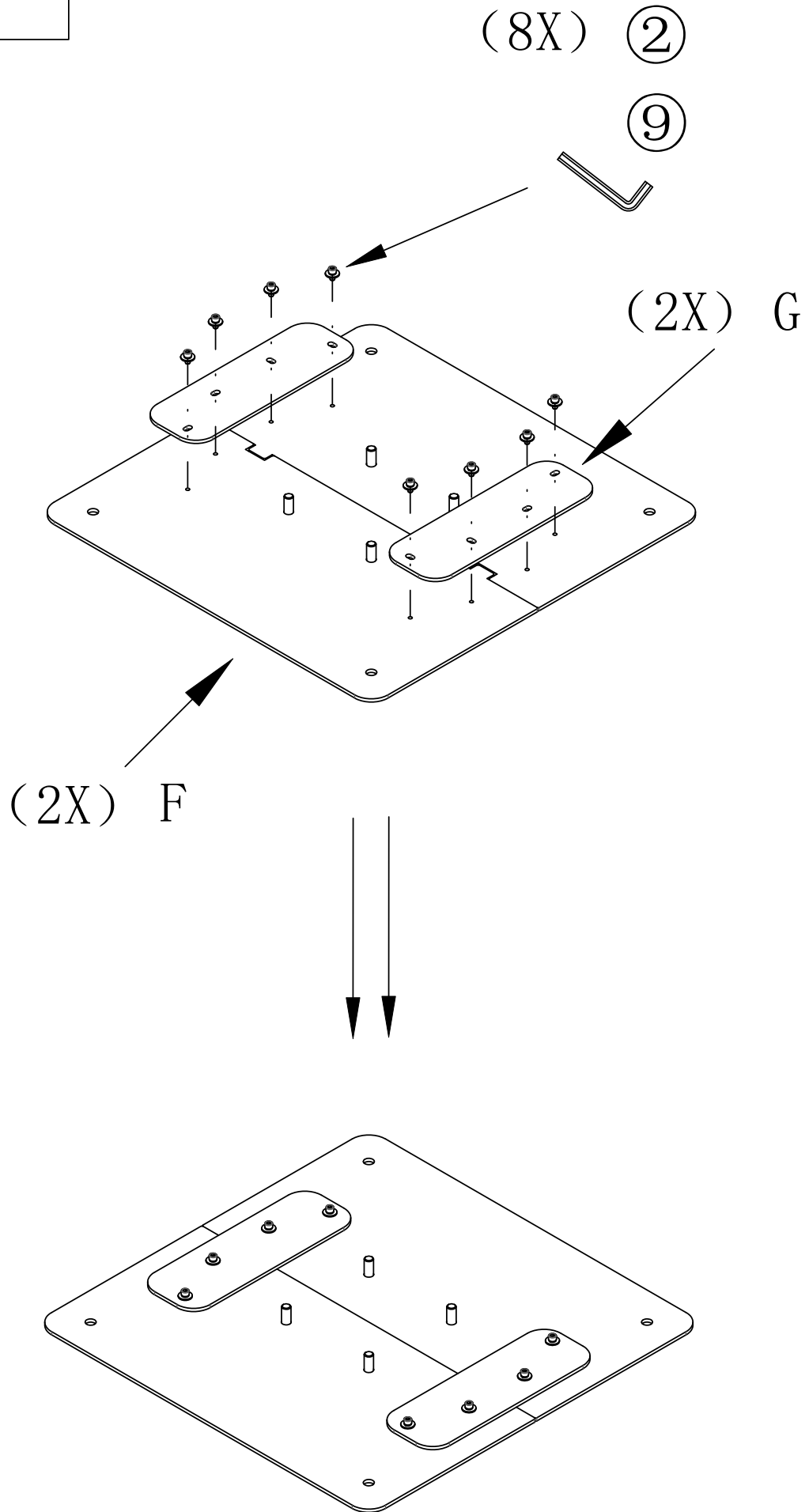


F 2x

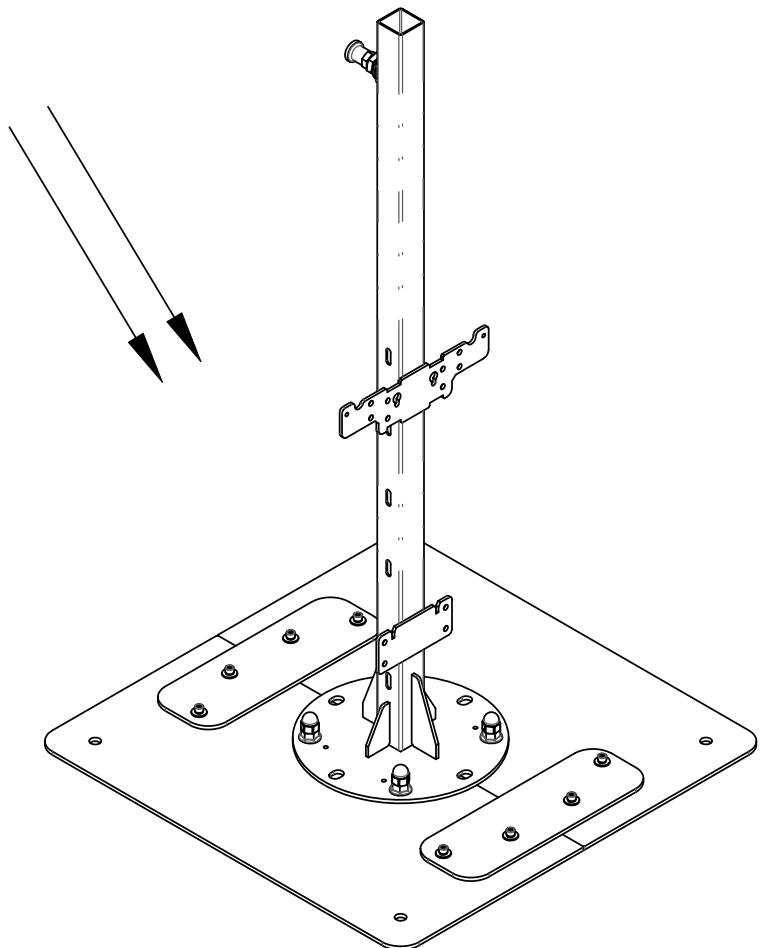
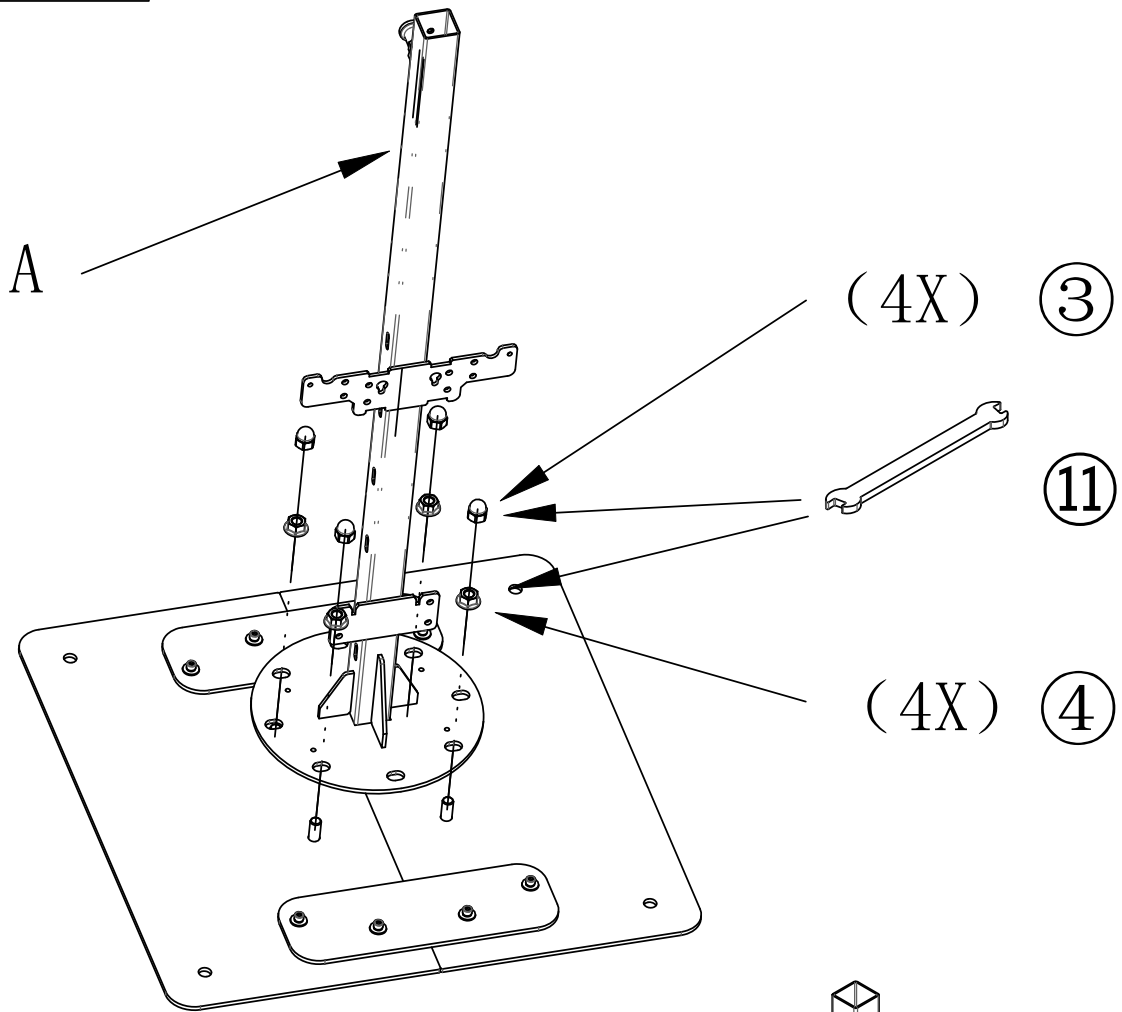


G 2x

4



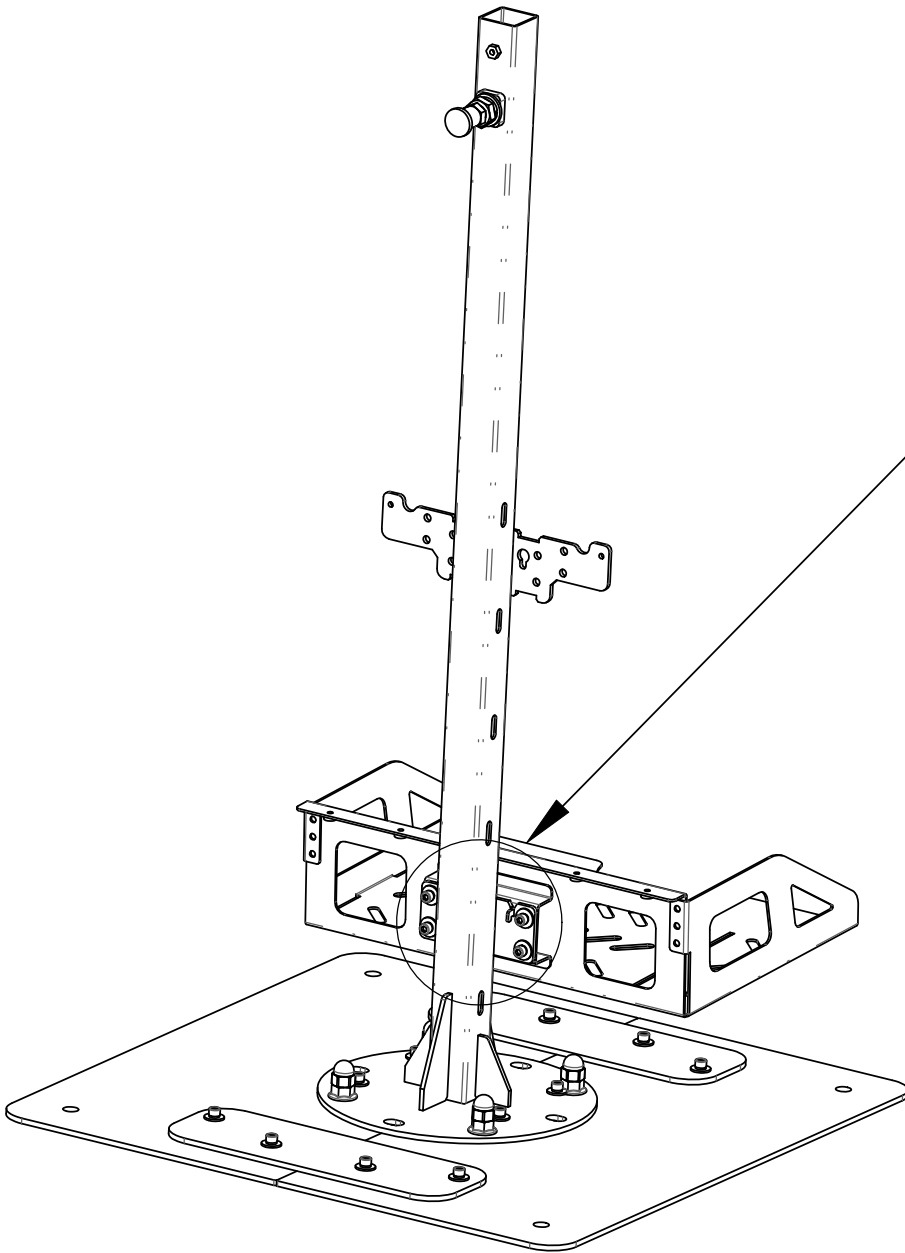
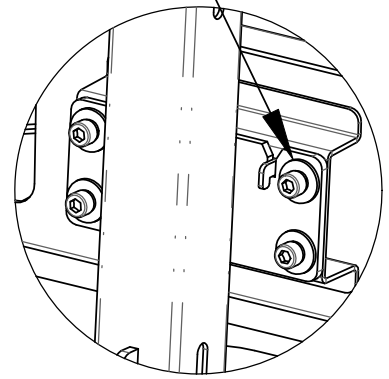
5



6

(4X) ①

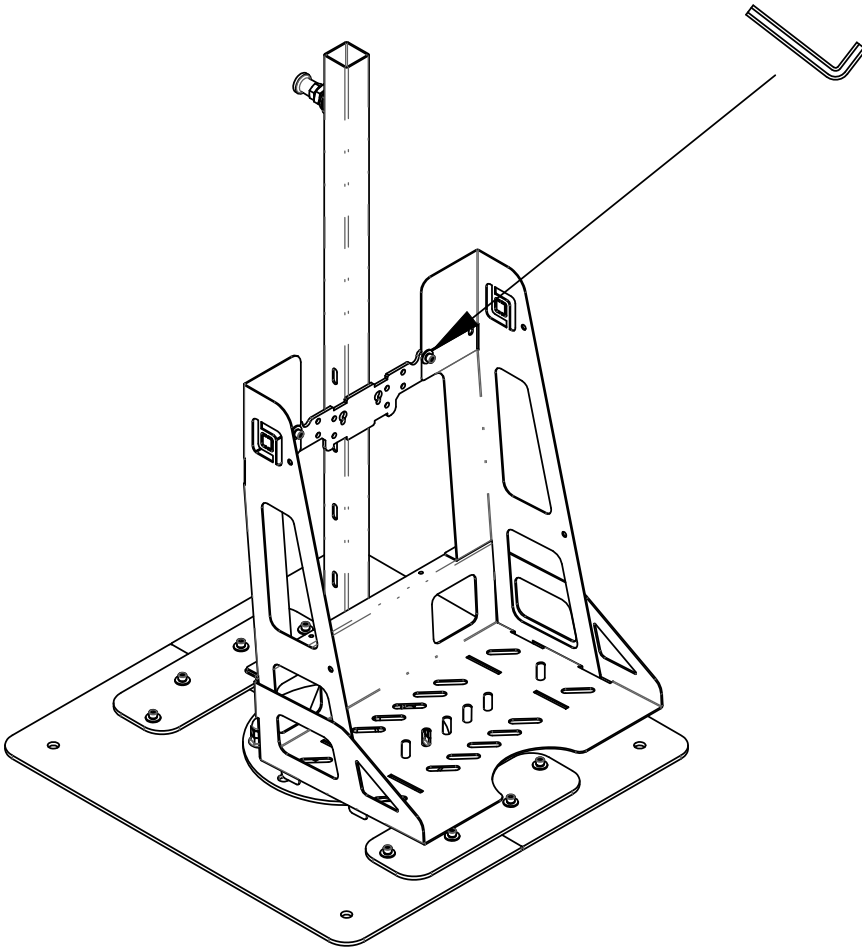
⑨



7

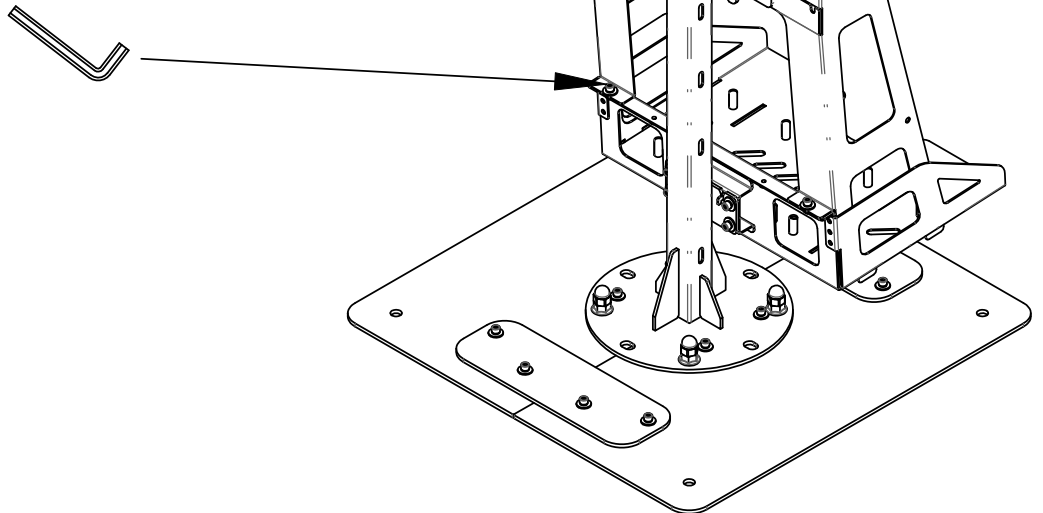
(2X) ①

⑨



(2X) ①

⑨



8

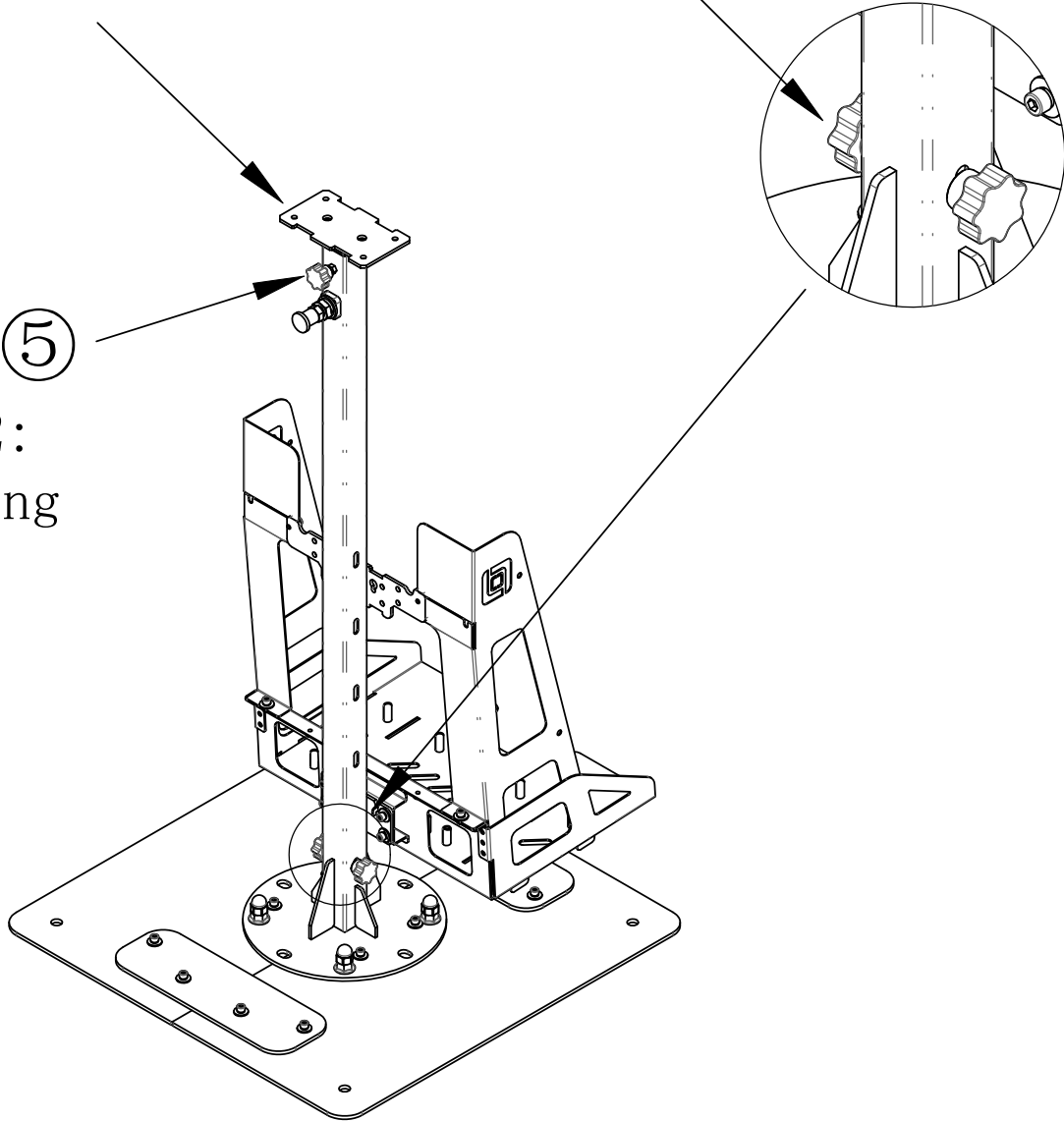
(2X) ⑤

Step1:locking

B

(1X) ⑤

Step2:
locking

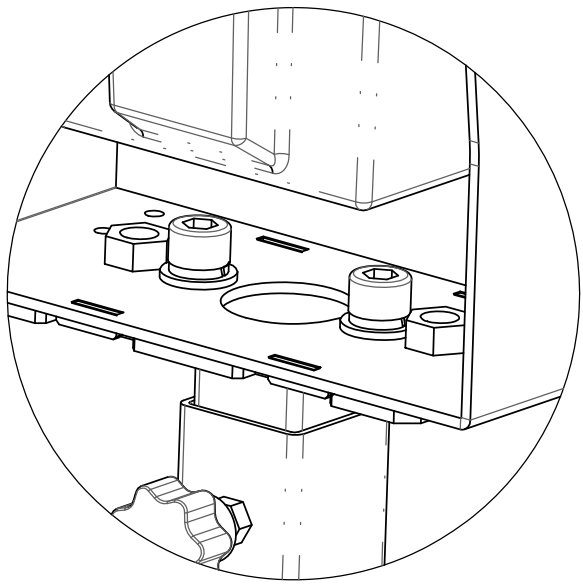
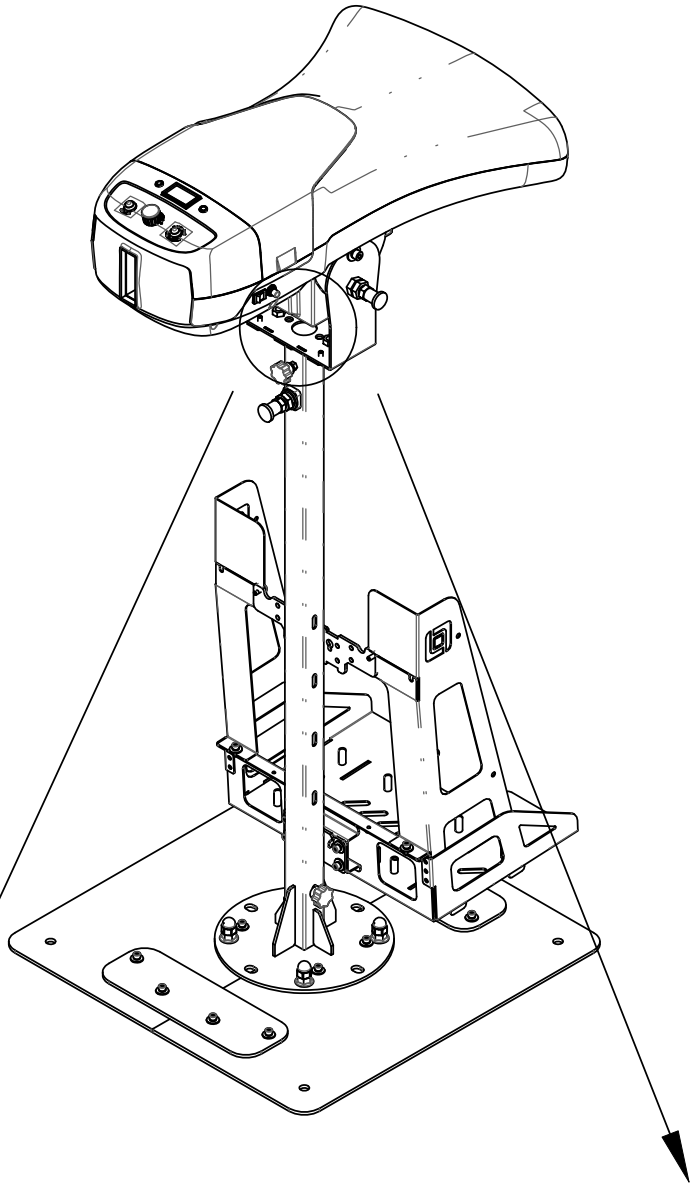


You can move Telescopic rods upwards and install it into the previous hole with M6 screws, which can raise the height of the machine by 10cm. There are four levels of height, with each level being 10cm.

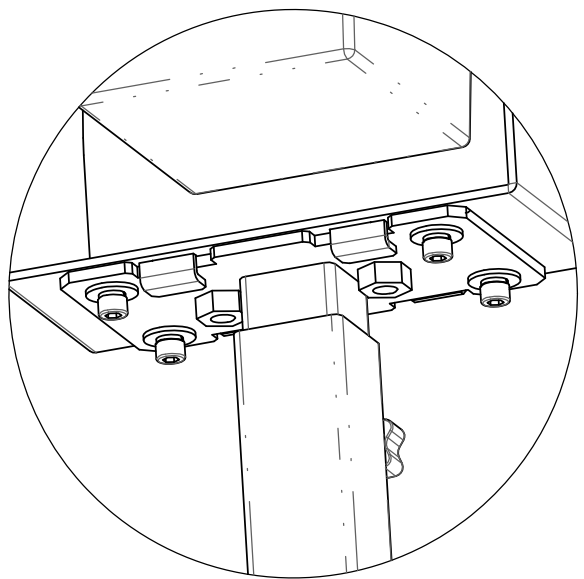
9

(2X) ⑥ ⑦ ⑧
⑩

(4X) ①
⑨



Old version
installation method



New version
installation method