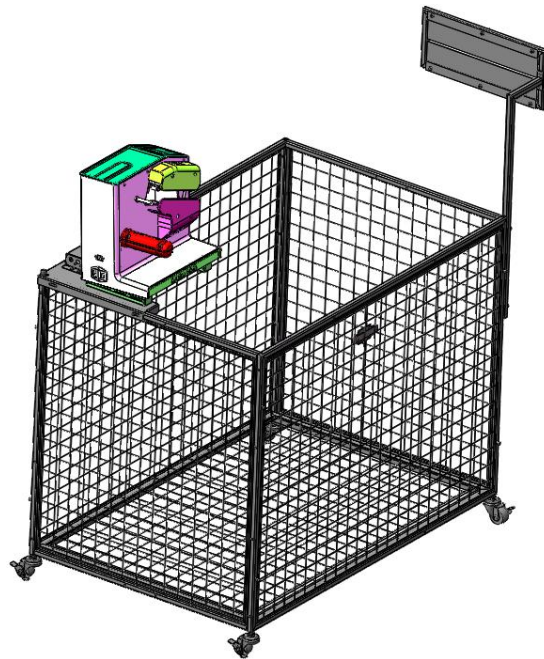
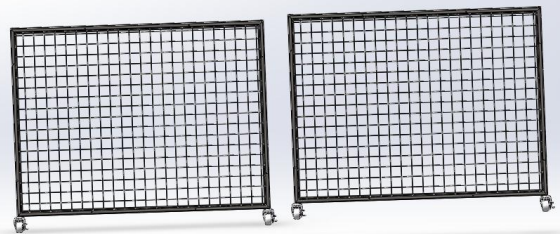


# Installation manual of EC2007



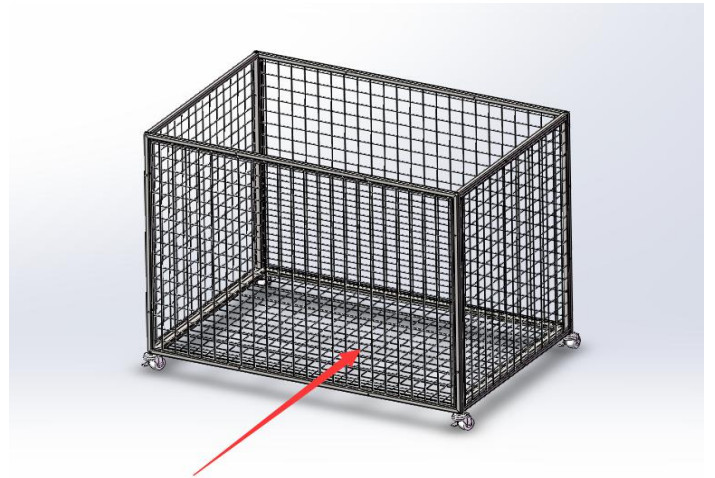
Step 1: Install the wheel on basket B, see picture;



Step 2: Install basket A, fix with M6\*30 bolt + M6 gasket + M6 washer, see picture;



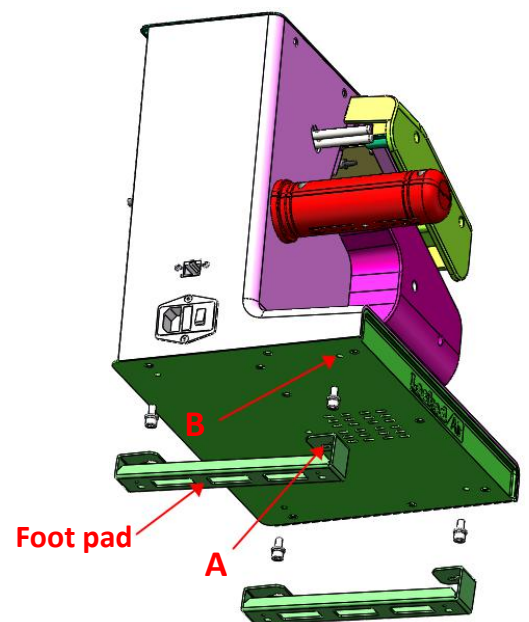
Step 3: Put basket C at the bottom, see picture ;



Step 4: Install the mounting plate , see picture;

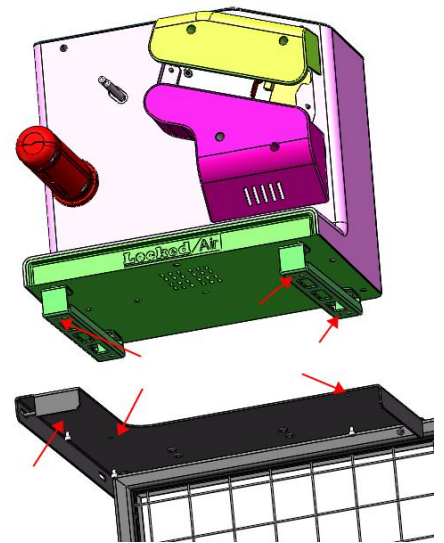


Step 5:  
Install foot pad "A" and foot pad "B" with 4 sets of M4x16 screw and washer.

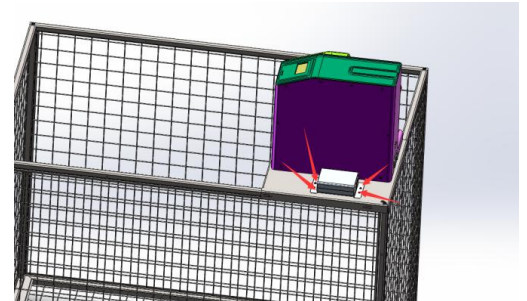


Step 6: Align the hole of foot pad and hole on the cart;

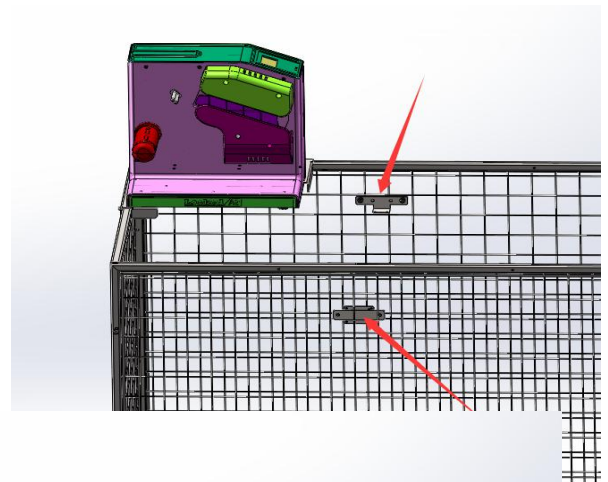
Fix with 3 sets of M4x8 screw and washer



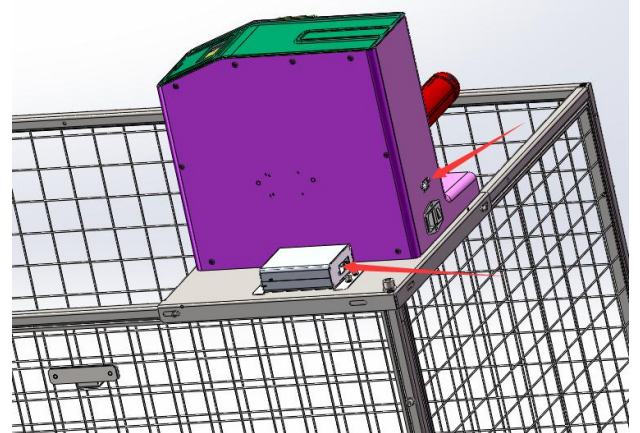
Step 7: Install the control box and sensor, the size of bolt is M5\*12, see picture;



Step 8: Fix the stand of sensor, clamp with clip, bolt size M6\*12, to make sure two sensors are in the same line, see picture;



Step 9: Connect the internet cable, connect the air cushion machine and control box with internet cable;



Step 10: Spare part installation, fix the feeding port, bolt size M6\*50, fixing the brusher, bolt size M6\*30, see picture;

